

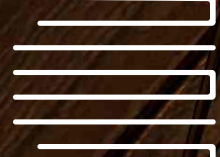
SINKON

Kitchen Sinks



2023

KITCHEN SINKS CATALOGUE •





SINKON

Kitchen Sinks

ISO
9001:2015

Made in
TÜRKİYE



Sertifika

Certificate

Goldcert, assessed that the following organisation has established and maintained a proper management system according to relevant standard

ŞİMŞEK GRUP KROM REKLAM İNŞAAT TARIM OTOMOTİV VE SANAYİ TİCARET İTHALAT İHRACAT ANONİM ŞİRKETİ

Carried out at following site/s

FEVZİÇAKMAK MAHALLESİ KOSGEB CAD. NO:85/1
KARATAY – KONYA / TÜRKİYE

for their

ISO 9001:2015
QUALITY MANAGEMENT SYSTEM

With a scope of

MANUFACTURING AND SALES OF KITCHEN SINK MADE OF CHROME AND NICKEL, CHROME BOX LETTER, PLEXY BOX LETTER AND ALUMINUM BOX LETTER

Certificate No : GC-18-1995
Initial Registration Date : 08/01/2018
Certification Date : 06/01/2021 Rev:1
Valid Until : 05/01/2024

General Manager
Erdin Ayder



TURKAK BDS NO
YS-A500-0FA6



goldcert.com.tr sertifika.com.tr

S-F-07/1

ABOUT US

Since 1980, a private factory operating in the production of "Sink" started production under the brand "SINKON" and "KONEVYE" within Şimşek Grup AŞ in 2017.

Şimşek Grup AŞ, by keeping up with today's technologies and conditions, it always aims to be one step ahead in becoming the leader of its sector.

Şimşek Grup AŞ, which never compromises on commercial ethics, is confident that it will become a world brand with its Sinkon and Konevye brands by adhering to these principles.



Sertifika

ŞİMŞEK GRUP KROM REKLAM İNŞAAT TARIM OTOMOTİV VE SANAYİ TİCARET İTHALAT İHRACAT ANONİM ŞİRKETİ

FEVZİÇAKMAK MAHALLESİ KOSGEB CAD. NO:85/1
KARATAY – KONYA / TÜRKİYE

Goldcert, yukarıda bilgileri bulunan kuruluşun

ISO 9001:2015
KALİTE YÖNETİM SİSTEMİ

standartına uygunluğunun

KROM, NİKEL MUTFAK EVİYESİ, KROM KUTU HARF, PLEKSİ KUTU HARF, ALÜMİNYUM KUTU HARF ÜRETİM VE SATIŞI

kapsamında değerlendirildiğini, kuruluşun ilgili standart gerekliliklerine uygun bir yönetim sistemi kurduğunu ve uygulamakta olduğunu teyit eder.

Sertifika Numarası : GC-18-1995
Belgelendirme Tarihi : 08/01/2018
Sertifika Yayın Tarihi : 06/01/2021 Rev:1
Geçerlilik Tarihi : 05/01/2024

Genel Müdür
Erdin Ayder



TURKAK BDS NO
YS-A500-0FA6



goldcert.com.tr sertifika.com.tr

S-F-07/1

QUALITY POLICY

- With our well built and high-quality goods aspiring to be a leader in our sector,
- Adopting to upgrading our quality administration system as a principle,
- Aiming to do as best as we could to make sure produced work to be perfect,
- Hoping to be a firm that continuously developing with R&D works and innovative thinking



UNDER
MOUNT
SERIES

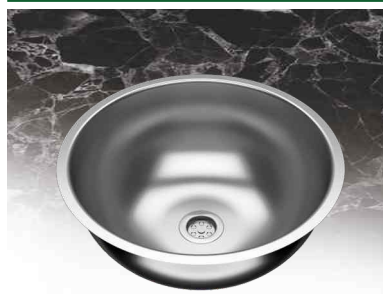
UNDERMOUNT

PRODUCT ID
S38



38 X 38

PRODUCT ID
S30

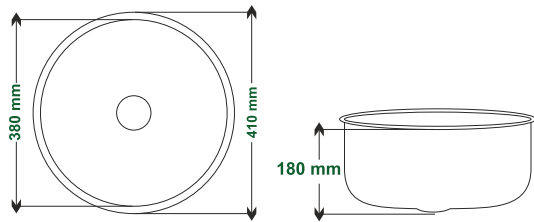


PRODUCT ID
S40

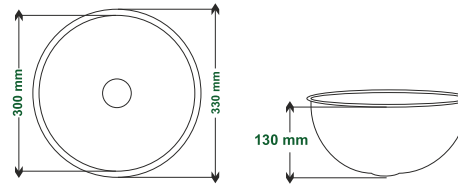


40 X 40

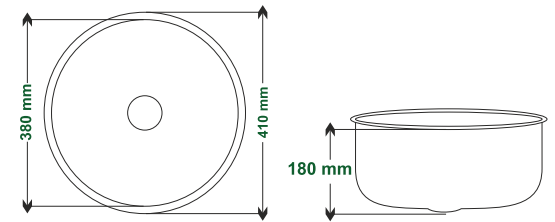
GRADE **304 430** THICK. **0,4 ~ 0,9**



GRADE **304** THICK. **0,4 ~ 0,9**



GRADE **304 430** THICK. **0,4 ~ 0,9**



PRODUCT ID
S45



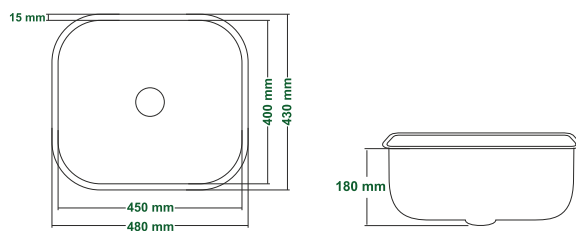
40 X 45

PRODUCT ID
S48

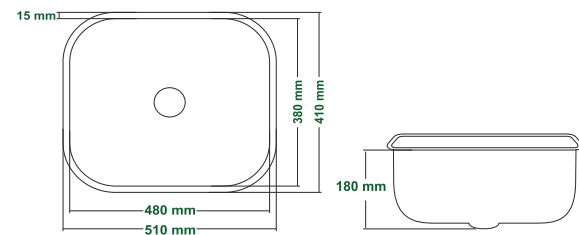


38 X 48

GRADE **304 430** THICK. **0,4 ~ 0,9**



GRADE **304 430** THICK. **0,4 ~ 0,9**





INSET
SERIES

MOYALIS

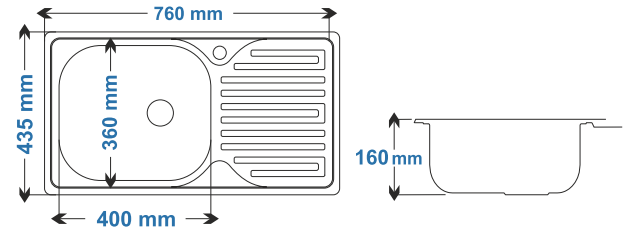
INSET

PRODUCT ID
SA76

43,5 X 76



GRADE **304** **430** **201** THICK. **0,5 ~ 0,6**

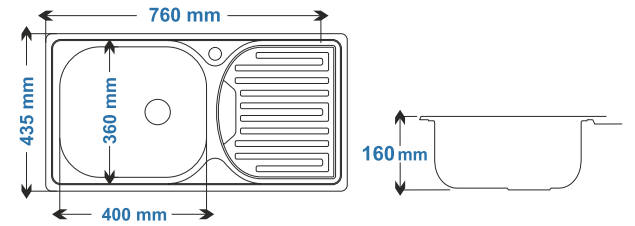


PRODUCT ID
SA76T

43,5 X 76



GRADE **304** **430** **201** THICK. **0,5 ~ 0,6**

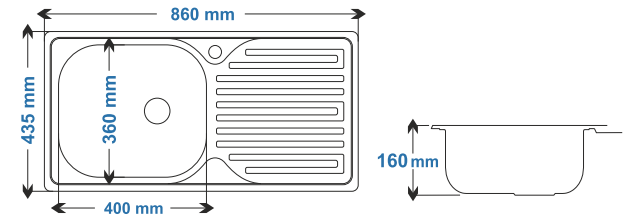


PRODUCT ID
SA86

43,5 X 86



GRADE **304** **430** **201** THICK. **0,5 ~ 0,6**

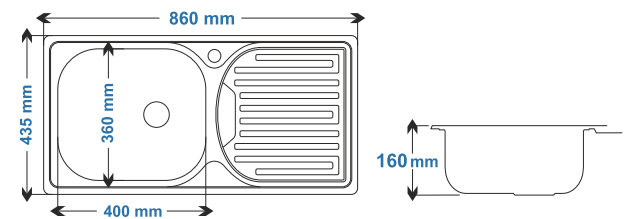


PRODUCT ID
SA86T

43,5 X 86



GRADE **304** **430** **201** THICK. **0,5 ~ 0,6**



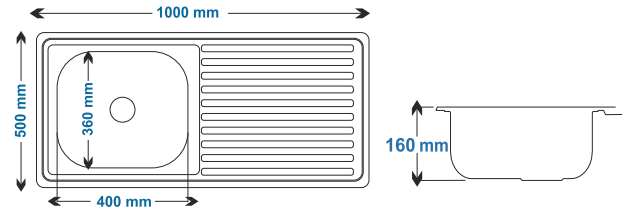
INSET

PRODUCT ID
SA100

50 X 100



GRADE **304** **430** **201** THICK. **0,5 ~ 0,6**

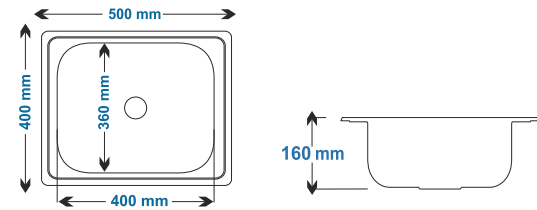


PRODUCT ID
SA40

40 X 50



GRADE **304** **430** **201** THICK. **0,5 ~ 0,6**



LAY-ON

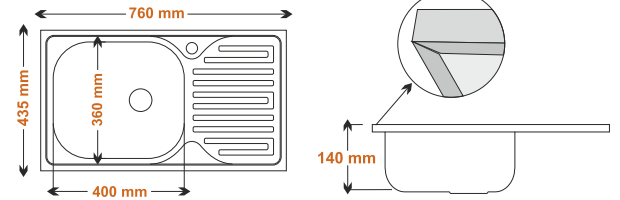
PRODUCT ID
SL76

43,5 X 76



GRADE **304** **430** **201**

THICK. **0,4 ~ 0,6**



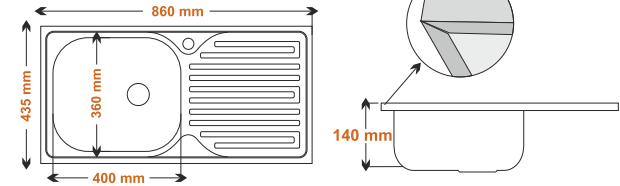
PRODUCT ID
SL86

43,5 X 86



GRADE **304** **430** **201**

THICK. **0,4 ~ 0,6**



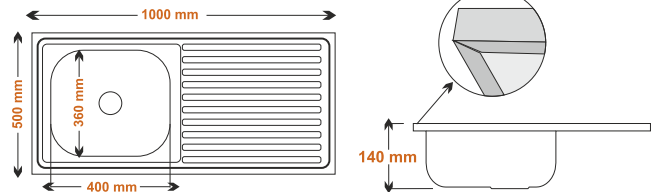
PRODUCT ID
SL100

50 X 100



GRADE **304** **430** **201**

THICK. **0,4 ~ 0,6**



LAY-ON

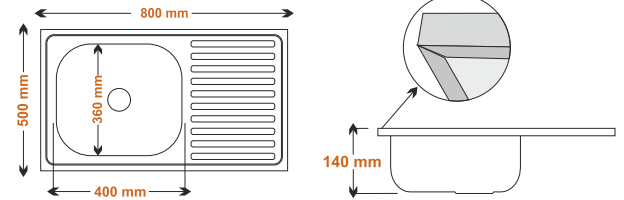
PRODUCT ID
SL50

50 X 80



GRADE **304** **430** **201**

THICK. **0,4 ~ 0,6**



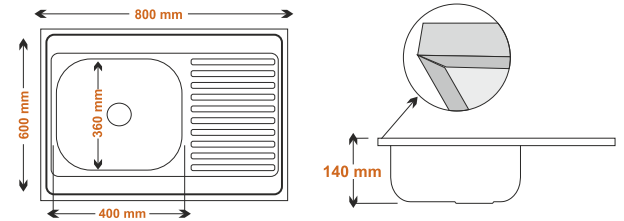
PRODUCT ID
SL60

60 X 80



GRADE **304** **430** **201**

THICK. **0,4 ~ 0,6**



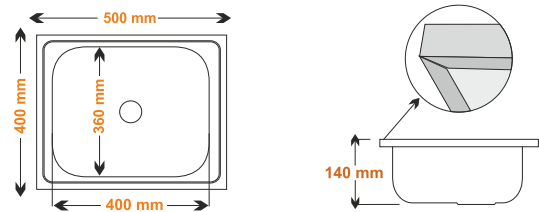
PRODUCT ID
SL40

40 X 50



GRADE **304** **430** **201**

THICK. **0,4 ~ 0,6**

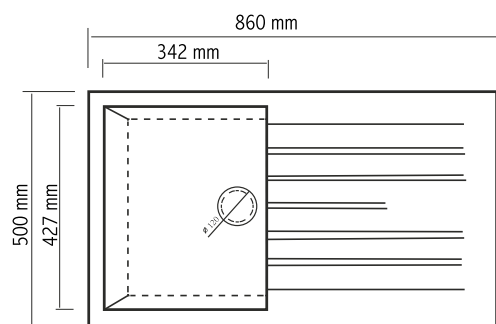




GRANITE
INSET SERIES

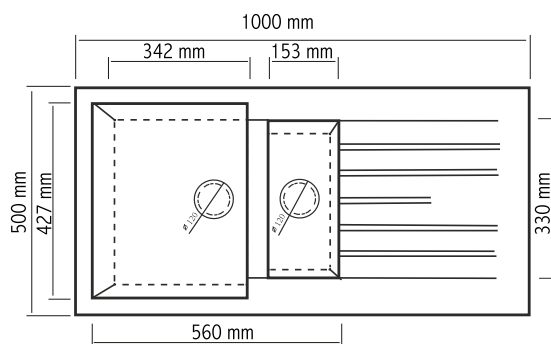
GRANITE

PRODUCT ID
SG86



210
Sink Size
860x500 mm
Cut Size
840x480 mm

PRODUCT ID
SG100

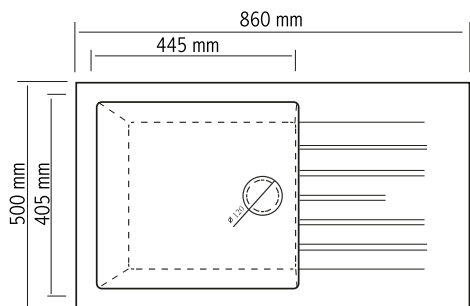


210
Sink Size
1000x500 mm
Cut Size
980x480 mm



GRANITE

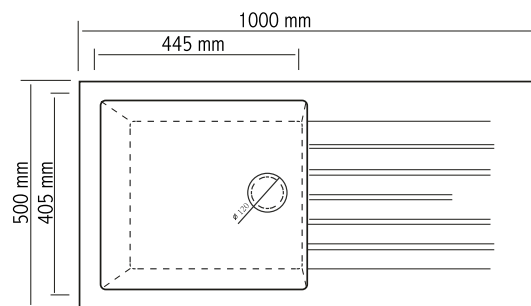
PRODUCT ID
SG86 L



Sink Size
860x500 mm

Cut Size
840x480 mm

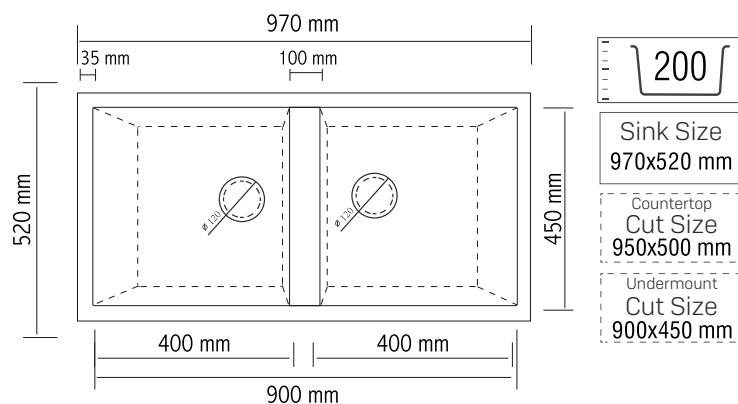
PRODUCT ID
SG100 L



Sink Size
1000x500 mm

Cut Size
980x480 mm

PRODUCT ID
SG90



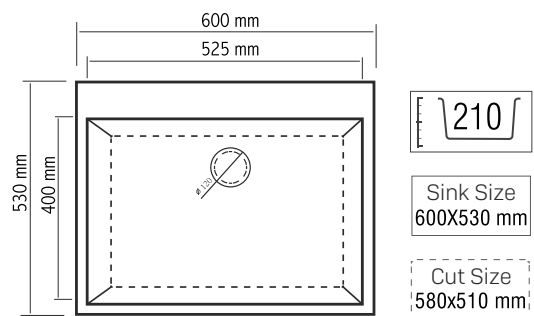
Sink Size
970x520 mm

Countertop
Cut Size
950x500 mm

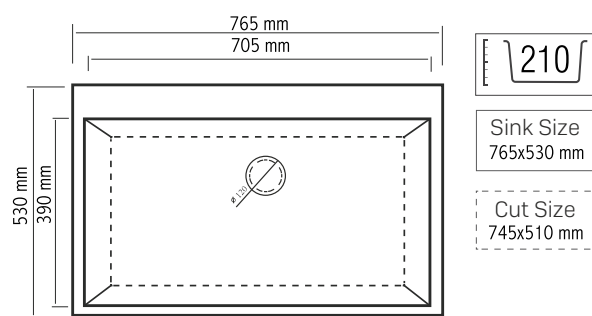
Undermount
Cut Size
900x450 mm

GRANITE

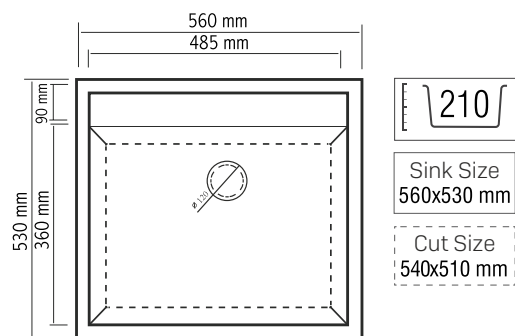
PRODUCT ID
SG52 B



PRODUCT ID
SG70 B

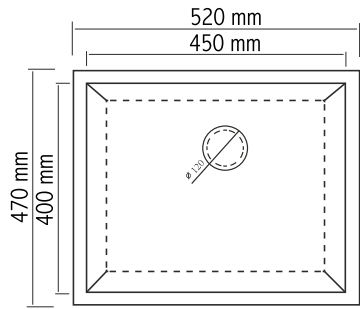


PRODUCT ID
SG48 B



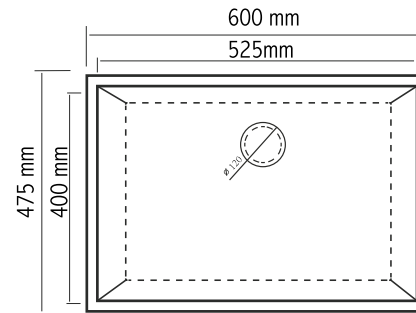
GRANITE

PRODUCT ID
SG45



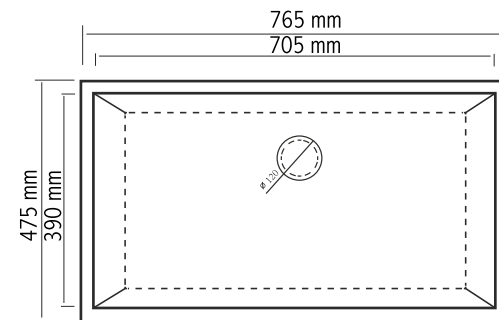
	Sink Size 520X470 mm
	Countertop Cut Size 500x450 mm
	Undermount Cut Size 450x400 mm

PRODUCT ID
SG52



	Sink Size 600X475 mm
	Countertop Cut Size 580x455 mm
	Undermount Cut Size 525x400 mm

PRODUCT ID
SG70



	Sink Size 765X475 mm
	Countertop Cut Size 745x455 mm
	Undermount Cut Size 695x400 mm

SIPHONS

SS01 STRAINER SIPHON



SS02 STRAINER SIPHON WITH OVERFLOW



SS03 STRAINER DUAL SIPHON



SS04 SMALL SIPHON WITH OVERFLOW



SS05 SMALL SIPHON





Fevzi akmak Mah. Kosgeb Cad. No:85/1
Karatay / KONYA / TURKIYE



(+90) 332 342 12 73



(+90) 532 520 11 32



info@sinkon.com.tr



/sinkonevye



www.sinkon.com.tr

SINKON
Kitchen Sinks

ŐIMŐEK GRUP A.Ő.